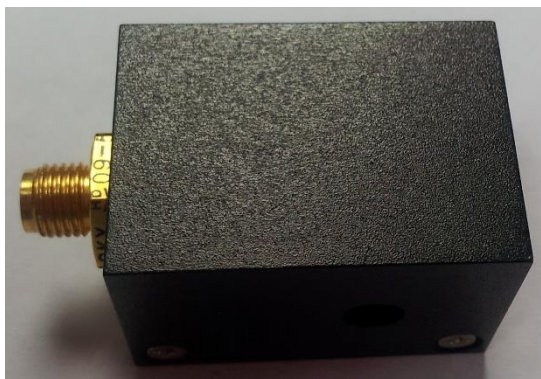


Photonics USA



Description

Acousto-optic deflector of **PSG45-1**, using the small-size tellurium dioxide single crystal as Acousto-optic medium.

It can be applied in such systems as laser demonstration, laser recording, acousto-optic frequency spectrum analyzer, high-speed laser recorder, acousto-optic correlator, and high density information memory.

General Specification

Interaction Material	Tellurium Oxide (TeO ₂)
Wavelength	1064nm
Center Frequency	45 ±2MHz
Diffraction Efficiency (peak)	≥ 60% @ 0.8W (Linear polarization)
Operating bandwidth	≥ 30MHz
Transmittance	≥ 90%
Dynamic Deflection Angle	2.5° @ 1064nm
RF Connection	SMA
Recommended Driver	This product is provided with the auxiliary driver, and can be customized according to user requirements.

AO Deflector
Model: PSG45-1
P/N: CETC-PSG45-1
Rev: A

Acousto-optic Deflector
 1064nm, 45±2MHz

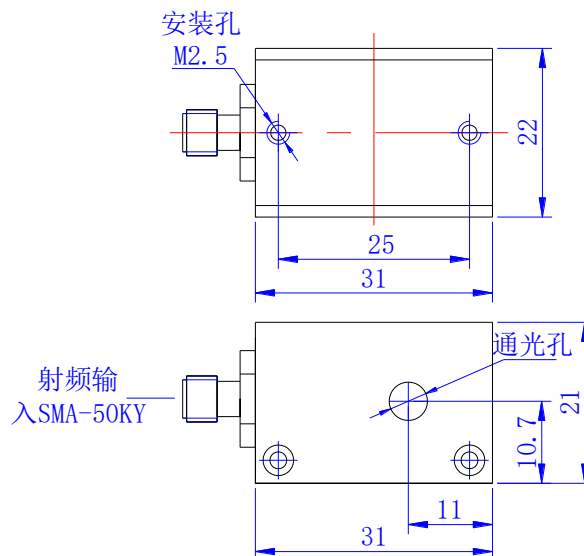
Characteristics:

- ❖ Big bandwidth
- ❖ High efficiency
- ❖ Small volume and convenient use

Applications:

- ❖ Laser demonstration, laser recording
- ❖ Acousto-optic frequency spectrum analyzer
- ❖ High-speed laser recorder
- ❖ Acousto-optic correlator
- ❖ High density information memory

Outline: Dimensions (mm)



Photonics USA

About CETC 26th



The 26th Institute of China Electronic Technology Group Corporation (CETC 26th) is specialized in R&D of piezoelectric and Acousto-optic technologies. Its R&D center of AO technology was started in 1972, with strong design capability and a complete production line, has developed dozens of varieties of AO products. Custom-made service and quality solutions can also be provided to meet customers' special interest.

CETC 26th has passed ISO9001-2000, GB/T24001-2004 and GB/T28001-2001 certification. Quality is strictly controlled at each production phase, covering material selection, processing, assembling and testing.

AO devices of CETC 26th are widely used for various laser applications.

Main products include:

- **Free space coupled AO device & Driver:** Q-Switch, modulator, frequency shifter, deflector, adjustable filter and mode locker, etc.
- **Pigtail coupled AO device & Driver:** fibered AO Q-Switch, fibered modulator, fibered frequency shifter, etc.