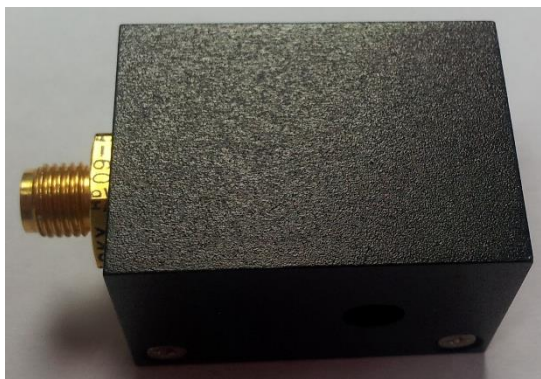


# Photonics USA



**AO Deflector**  
**Model: PSG85-1**  
**P/N: CETC-PSG85-1**  
**Rev: A**

Acousto-optic Deflector  
 633nm, 85±2MHz



## Description

Acousto-optic deflector of **PSG85-1**, using the small-size tellurium dioxide single crystal as Acousto-optic medium.

It can be applied in such systems as laser demonstration, laser recording, acousto-optic frequency spectrum analyzer, high-speed laser recorder, acousto-optic correlator, and high density information memory.

## Characteristics:

- ❖ Big bandwidth
- ❖ High efficiency
- ❖ Small volume and convenient use

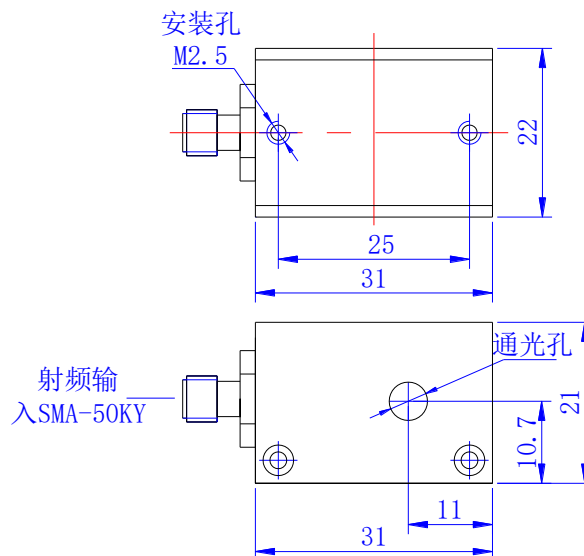
## Applications:

- ❖ Laser demonstration, laser recording
- ❖ Acousto-optic frequency spectrum analyzer
- ❖ High-speed laser recorder
- ❖ Acousto-optic correlator
- ❖ High density information memory

## General Specification

Interaction Material	Tellurium Oxide (TeO2)
Wavelength	633nm
Center Frequency	85 ±2MHz
Diffraction Efficiency (peak)	≥ 70% @ 0.8W (Linear polarization)
Operating bandwidth	≥ 40MHz
Transmittance	≥ 90%
Dynamic Deflection Angle	2.5° @ 633nm
RF Connection	SMA
<b>Recommended Driver</b>	This product is provided with the auxiliary driver, and can be customized according to user requirements.

## Outline: Dimensions (mm)



# Photonics USA

## About CETC 26<sup>th</sup>



The 26<sup>th</sup> Institute of China Electronic Technology Group Corporation (CETC 26<sup>th</sup>) is specialized in R&D of piezoelectric and Acousto-optic technologies. Its R&D center of AO technology was started in 1972, with strong design capability and a complete production line, has developed dozens of varieties of AO products. Custom-made service and quality solutions can also be provided to meet customers' special interest.

CETC 26<sup>th</sup> has passed ISO9001-2000, GB/T24001-2004 and GB/T28001-2001 certification. Quality is strictly controlled at each production phase, covering material selection, processing, assembling and testing.

AO devices of CETC 26<sup>th</sup> are widely used for various laser applications.

Main products include:

- **Free space coupled AO device & Driver:** Q-Switch, modulator, frequency shifter, deflector, adjustable filter and mode locker, etc.
- **Pigtail coupled AO device & Driver:** fibered AO Q-Switch, fibered modulator, fibered frequency shifter, etc.