

# Photonics USA



## Driver for AO Q-Switch QSG41-3

Model: QSG41-3/D

P/N: CETC-QSG41-3D

Rev: A

Acousto-optic Q-Switch Driver, 40.68MHz  
12W, 24V, TTL, FPS, Air Cooled, SMA

### Description

**QSG41-3/D** is the RF Driver which is designed for the Acousto-optic Q-switch of QSG41-3. It adopts the DC input mode, so as to conveniently realized the modulation of radio frequency signal by inputting the control signal.

### Characteristics:

- ❖ Small volume
- ❖ High working efficiency
- ❖ Quick fall time of pulse
- ❖ High harmonic suppression ratio

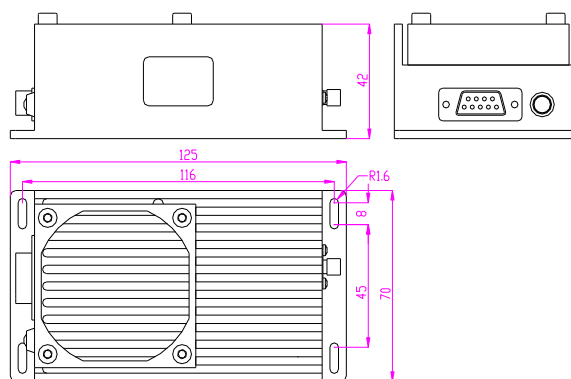
### Applications:

- ❖ QSG41-3 AO Q-switch

### General Specification

Interaction Material	Silica
Operating Frequency	40.68MHz
Electrical Power	$\geq 12W$
Modulation Frequency	$\geq 200kHz$
VSWR	$\leq 1.2$ (50 $\Omega$ input impedance)
Operating Voltage (DC)	25V $\pm 5\%$
Output Impedance	50 $\Omega$
Light Output Level	High/Low (optional), TTL
First Pulse Suppression	FPS
Cooling Method	Air cooled
RF Connection	SMA
Control Interface	DB-9
<b>Recommended Q-Switch</b>	Model #: QSG41-3

### Outline: Dimensions (mm)



# Photonics USA

## About CETC 26<sup>th</sup>



The 26<sup>th</sup> Institute of China Electronic Technology Group Corporation (CETC 26<sup>th</sup>) is specialized in R&D of piezoelectric and Acousto-optic technologies. Its R&D center of AO technology was started in 1972, with strong design capability and a complete production line, has developed dozens of varieties of AO products. Custom-made service and quality solutions can also be provided to meet customers' special interest.

CETC 26<sup>th</sup> has passed ISO9001-2000, GB/T24001-2004 and GB/T28001-2001 certification. Quality is strictly controlled at each production phase, covering material selection, processing, assembling and testing.

AO devices of CETC 26<sup>th</sup> are widely used for various laser applications.

Main products include:

- **Free space coupled AO device & Driver:** Q-Switch, modulator, frequency shifter, deflector, adjustable filter and mode locker, etc.
- **Pigtail coupled AO device & Driver:** fibered AO Q-Switch, fibered modulator, fibered frequency shifter, etc.