

Photonics USA



Description

The Acousto-optic frequency shifter of **YSGMN-1** is a fixed frequency shifter.

It is applied in such fields as heterodyne detection, speed measurement and fiber optic gyro. Moreover, different frequency applications can be obtained through frequency multiplication or difference frequency technology.

Characteristics:

- ❖ High efficiency
- ❖ High stability
- ❖ High reliability
- ❖ Convenient use

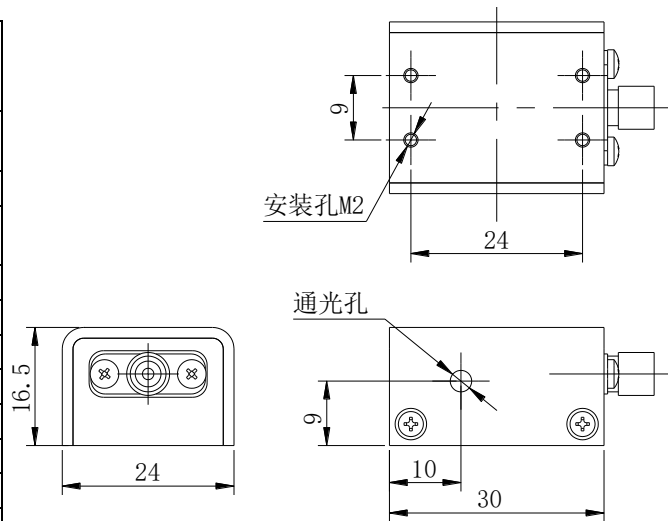
Applications:

- ❖ Heterodyne detection
- ❖ Speed measurement
- ❖ Fiber optic gyro
- ❖ Different frequency multiplication

General Specification

Interaction Material	Lead Molybdate (PbMoO4) or Tellurium Oxide (TeO2)
Wavelength	532nm, 633nm, 1064nm, 1550nm (or else)
Transmittance	> 93%
Operating Frequency	100MHz (70~150MHz, or else)
Frequency Shifting Range	N/A
Diffraction Efficiency	> 80% (peak) @ 532nm > 75% (peak) @ 1064nm > 70% (peak) @ 1550nm
Light Aperture	1mm (or else)
RF Connection	SMA
Recommended Driver	Model #: YSGMN-1/D

Outline: Dimensions (mm)



Order Information

Model #	Operating Frequency	Wavelength	Aperture Size
CETC-YSGMN-1	-xxx	-yyyy	-zz
CETC-YSGMN-1	-070 = 70MHz -100 = 100MHz -150 = 150MHz or else	-0532 = 532nm -0633 = 633nm -1064 = 1064nm -1550 = 1550nm, or else	-09 = 0.9mm -10 = 1.0mm -12 = 1.2mm, or else

Example Part #: **CETC-YSGMN-1-100-0633-10** (CETC AO Frequency Shifter, 100MHz, 633nm, 1.0mm aperture size)

Contact: sales@photonics-usa.com

www.photonics-usa.com

As part of our policy of continuous product improvement, we reserve the right to change the specification at any time.

Document: CETC-YSGMN-1-xxx-yyyy-zz Rev: A

Photonics USA

About CETC 26th



The 26th Institute of China Electronic Technology Group Corporation (CETC 26th) is specialized in R&D of piezoelectric and Acousto-optic technologies. Its R&D center of AO technology was started in 1972, with strong design capability and a complete production line, has developed dozens of varieties of AO products. Custom-made service and quality solutions can also be provided to meet customers' special interest.

CETC 26th has passed ISO9001-2000, GB/T24001-2004 and GB/T28001-2001 certification. Quality is strictly controlled at each production phase, covering material selection, processing, assembling and testing.

AO devices of CETC 26th are widely used for various laser applications.

Main products include:

- **Free space coupled AO device & Driver:** Q-Switch, modulator, frequency shifter, deflector, adjustable filter and mode locker, etc.
- **Pigtail coupled AO device & Driver:** fibered AO Q-Switch, fibered modulator, fibered frequency shifter, etc.