

Photonics USA



Driver for AO Frequency Shifter

Model: YSGMN-1/D

P/N: CETC-YSGMN-1D-xxx-yy-zz

Rev: A

Acousto-optic Frequency Shifter Driver
>0.8W, 24V, singled frequency, SMA

Description

The RF driver of **YSGMN-1** acousto-optic frequency shifter is the single-point fixed frequency driver.

The shift frequency can be adjusted by the inside of RF driver or by the externally inputted DC voltage.

Characteristics:

- ❖ Big bandwidth tunable range
- ❖ High frequency stability
- ❖ Stable power output

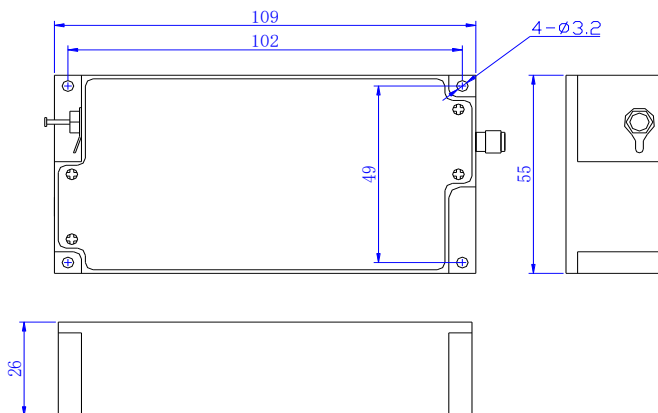
Applications:

- ❖ For YSGMN-1 AO frequency shifter (fixed)

General Specification

Center Frequency	70MHz, 100MHz, 150MHz (or else)
Frequency Shift Range	Singled frequency
Output Power	≥ 0.8W (or else)
Frequency Stability	1 x 10 ⁻⁶ /2h
Operating Voltage (DC)	24V ±5%
RF Connection	SMA
RF Control	N/A
Recommended AO Frequency Shifter	Model #: YSGMN-1

Outline: Dimensions (mm)



Order Information

Model #	Operating Frequency	Electrical Power	Operating Voltage (DC)
CETC-YSGMN-1D	-xxx	-yy	-zz
CETC-YSGMN-1D	-070 = 70MHz -100 = 100MHz -150 = 150MHz or else	-10 = 1.0W, or else	-24 = 24V, or else

Example Part #: **CETC-YSGMN-1D-100-10-24** (CETC AO Frequency Shifter YSGMN-1 RF Driver, 100MHz, 1.0W, 24V DC)

Contact: sales@photonics-usa.com

www.photonics-usa.com

As part of our policy of continuous product improvement, we reserve the right to change the specification at any time.

Document: CETC-YSGMN-1D-xxx-yy-zz Rev: A

Photonics USA

About CETC 26th



The 26th Institute of China Electronic Technology Group Corporation (CETC 26th) is specialized in R&D of piezoelectric and Acousto-optic technologies. Its R&D center of AO technology was started in 1972, with strong design capability and a complete production line, has developed dozens of varieties of AO products. Custom-made service and quality solutions can also be provided to meet customers' special interest.

CETC 26th has passed ISO9001-2000, GB/T24001-2004 and GB/T28001-2001 certification. Quality is strictly controlled at each production phase, covering material selection, processing, assembling and testing.

AO devices of CETC 26th are widely used for various laser applications.

Main products include:

- **Free space coupled AO device & Driver:** Q-Switch, modulator, frequency shifter, deflector, adjustable filter and mode locker, etc.
- **Pigtail coupled AO device & Driver:** fibered AO Q-Switch, fibered modulator, fibered frequency shifter, etc.