

Photonics USA



Description

The Acousto-optic frequency shifter of **YSGMN-2** is a variable frequency shifter.

It is applied in such fields as heterodyne detection, speed measurement and fiber optic gyro. Moreover, different frequency applications can be obtained through frequency multiplication or difference frequency technology.

General Specification

| | |
|--------------------------|--|
| Interaction Material | Lead Molybdate (PbMoO4) or Tellurium Oxide (TeO2) |
| Wavelength | 532nm, 633nm, 1064nm, 1550nm (or else) |
| Transmittance | > 93% |
| Operating Frequency | 100MHz (70~150MHz, or else) |
| Frequency Shifting Range | ≥ 20MHz |
| Diffraction Efficiency | > 80% (peak) @ 532nm > 75% (peak) @ 1064nm > 70% (peak) @ 1550nm |
| Light Aperture | 1mm (or else) |
| RF Connection | SMA |
| Recommended Driver | Model #: YGSMN-2/D |

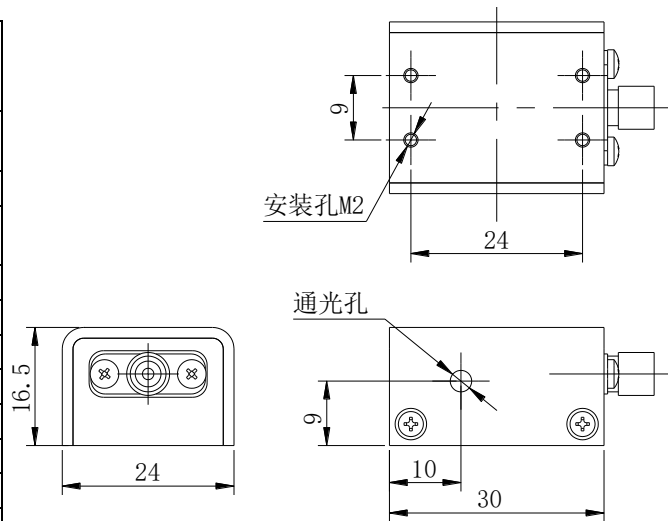
Characteristics:

- ❖ High efficiency
- ❖ High stability
- ❖ High reliability
- ❖ Convenient use

Applications:

- ❖ Heterodyne detection
- ❖ Speed measurement
- ❖ Fiber optic gyro
- ❖ Different frequency multiplication

Outline: Dimensions (mm)



Order Information

| Model # | Operating Frequency | Wavelength | Aperture Size |
|---------------------|--|---|--|
| CETC-YSGMN-2 | -xxx | -yyyy | -zz |
| CETC-YSGMN-2 | -070 = 70MHz -100 = 100MHz -150 = 150MHz or else | -0532 = 532nm -0633 = 633nm -1064 = 1064nm -1550 = 1550nm, or else | -09 = 0.9mm -10 = 1.0mm -12 = 1.2mm, or else |

Example Part #: **CETC-YSGMN-2-100-0633-10** (CETC AO Frequency Shifter, 100MHz, 633nm, 1.0mm aperture size)

Contact: sales@photonics-usa.com

www.photonics-usa.com

As part of our policy of continuous product improvement, we reserve the right to change the specification at any time.

Document: CETC-YSGMN-2-xxx-yyyy-zz Rev: A

Photonics USA

About CETC 26th



The 26th Institute of China Electronic Technology Group Corporation (CETC 26th) is specialized in R&D of piezoelectric and Acousto-optic technologies. Its R&D center of AO technology was started in 1972, with strong design capability and a complete production line, has developed dozens of varieties of AO products. Custom-made service and quality solutions can also be provided to meet customers' special interest.

CETC 26th has passed ISO9001-2000, GB/T24001-2004 and GB/T28001-2001 certification. Quality is strictly controlled at each production phase, covering material selection, processing, assembling and testing.

AO devices of CETC 26th are widely used for various laser applications.

Main products include:

- **Free space coupled AO device & Driver:** Q-Switch, modulator, frequency shifter, deflector, adjustable filter and mode locker, etc.
- **Pigtail coupled AO device & Driver:** fibered AO Q-Switch, fibered modulator, fibered frequency shifter, etc.